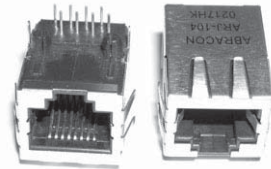


GIGABIT RJ45 LAN MAGNETIC

ARJ-10XX SERIES



FEATURES:

- Low cost 1x1 Tab-Down RJ45
- Available with or without LED
- Suitable CAT 5 & 6 cable and UTP
- Comply IEEE 802.3ab

OPTIONS:

- PVC tube package

APPLICATIONS:

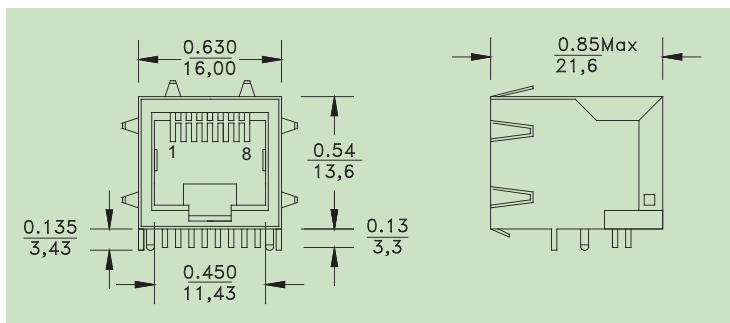
- LAN Magnetic with RJ45
- 1000Base-T Intergrated Magnetic
- NIC, LoM and PC

STANDARD SPECIFICATIONS:

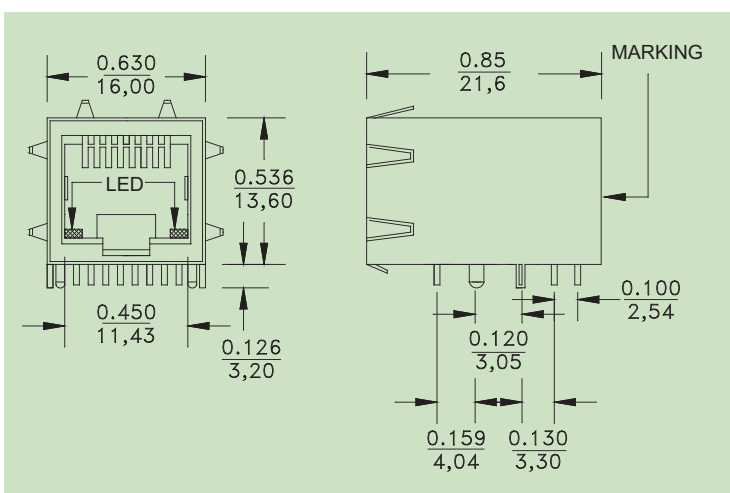
Part No.	Turns Ratio ($\pm 2\%$)		Return Loss (dB Min) MHz				CMRR (dB Min) MHz			Xtalk (dB Min)MHz	
	TX	RX	1-30	40	50	60-80	30	60	100	1-60	60-80
ARJ-1001	1CT:1CT	1CT: 1CT	-16	-13.5	-11.5	-10	-35	-32	-30	-40	-38
ARJ-1002	1CT:1CT	1CT: 1CT	-16	-13.5	-11.5	-10	-35	-32	-30	-40	-38
ARJ-1003	1CT:1CT	1CT: 1CT	-16	-13.5	-11.5	-10	-35	-32	-30	-40	-38
ARJ-1004	1CT:1CT	1CT: 1CT	-16	-13.5	-11.5	-10	-35	-32	-30	-40	-38

Part No.	Xtalk (dB Min)MHz			Schematic
	30	60	100	
ARJ-1001	-40	-36	-30	A
ARJ-1002	-40	-36	-30	B
ARJ-1003	-40	-36	-30	C
ARJ-1004	-40	-36	-30	D

DIMENSIONS WITHOUT LED:



DIMENSIONS WITH LED:



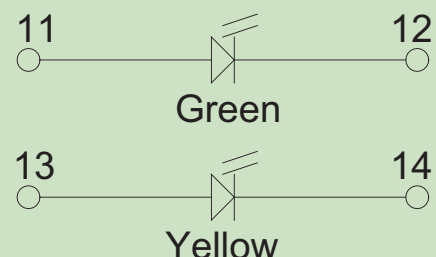
TECHNICAL INFORMATION:

- I.L.: -1.1 dB Max @ 1MHz to 100MHz
- OCL: 350 μ H min @ 100KHz, 0.1V_{RMS} 8mA DC
- Hipot: 1500 V_{RMS} 1 Minute min
- Add D after the part number for with LED
- 2.1V 10mA forward typical
- Operating Temperature: 0°C to +70°C
- Extended temperature subject to request

NOTES:

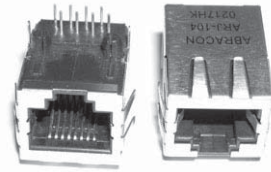
1. Tolerance comply with F.C.C. dimension requirement
2. Housing material: Glass filled polyester UL94V-0
3. Contact material: Phosphor bronze
t = 0.014 inch / 0.35 mm
4. Plating:
 - a. Contact area selective (30 μ inch) gold plating
 - b. Tail ~150 μ inch tin-lead min over 150 μ inch nickel
5. Operating life: 750 cycles min

Note: All specifications subject to change without notice

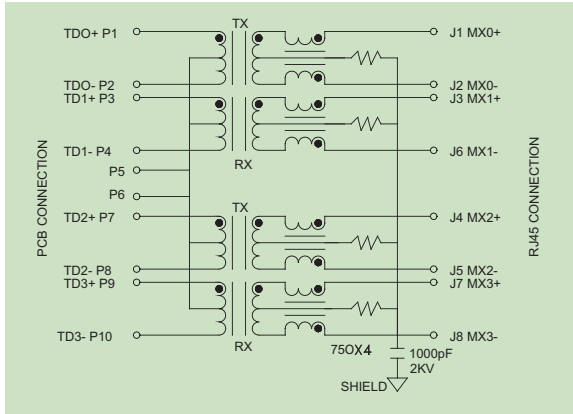


GIGABIT RJ45 LAN MAGNETIC

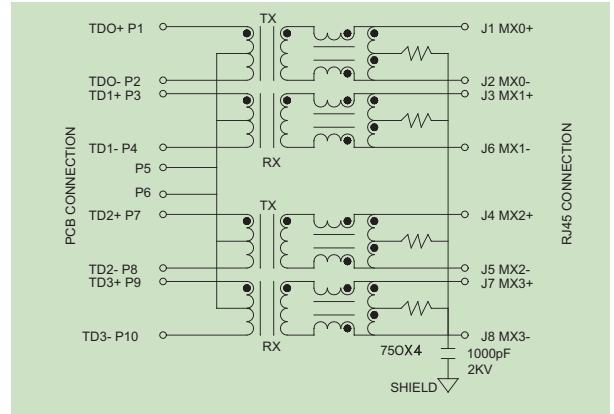
ARJ-10XX SERIES



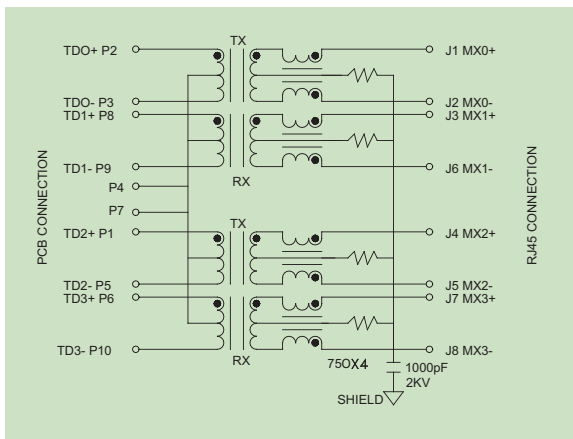
SCHEMATIC A:



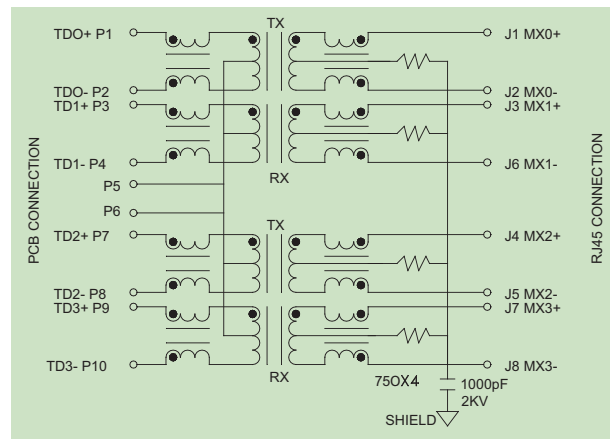
SCHEMATIC C:



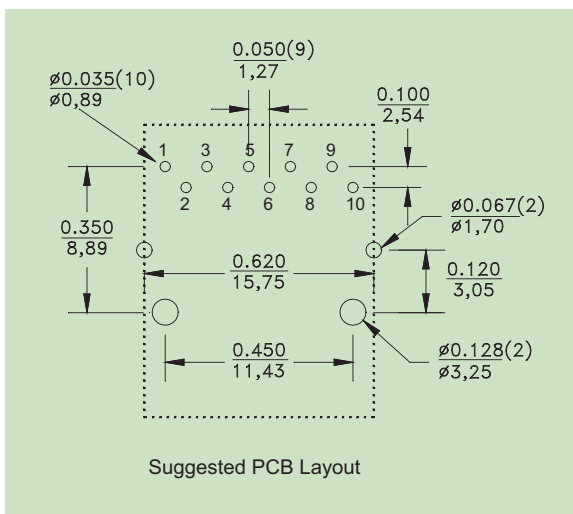
SCHEMATIC B:



SCHEMATIC D:



LANDED PATTERN WITHOUT LED:



LANDED PATTERN WITH LED:

